

# Grating Edge Ramps

Need a smooth transition from a grating edge to the solid surface flooring beneath? **NO PROBLEM...WE'VE GOT THIS!**

With more than 50 years experience in developing and manufacturing composite solutions, Fibergrate Composite Structures is constantly listening to the requests and needs of our customers. This has always been important for Fibergrate in facilitating the development of new products and accessories, as well as modifying existing products to best meet our customers' requirements.

Over the years, Fibergrate has received requests for grating edge ramps that are typically needed for rolling traffic. Whether it is vehicular equipment, pallet jacks, push carts, racks or other wheeled containers, the end user does not want the 90 degree drop-off when transitioning from the grating to a solid surface floor, such as concrete or vice versa. Fibergrate has always managed these requests by offering a custom solution for each individual project. Often times, the word "custom" is associated with "more expensive," so Fibergrate is now offering a more cost effective, easy to order solution!

Fibergrate's new standard grating edge ramps can be used with both Fibergrate® molded grating and Safe-T-Span® pultruded grating with depths of 1", 1-1/2" and 2" deep. These grating edge ramps are offered in dark gray or yellow and have a quartz grit top surface. Grating edge ramps are stocked in 12' lengths; however, they can be easily fabricated to meet any length requirements.

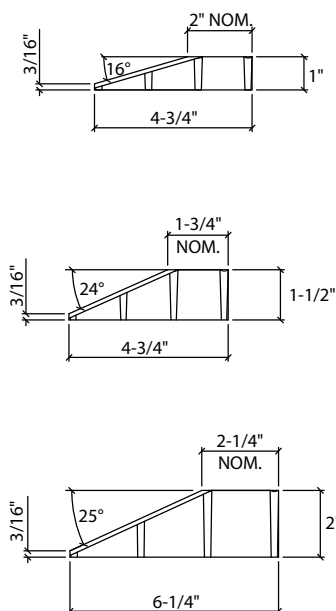


Safe-T-Span® pultruded grating with edge ramp

- For 1", 1-1/2" and 2" Grating Depths
- Molded and Pultruded Grating
- Colours: Yellow and Dark Gray
- VEFR Resin System
- Quartz Grit Top Surface

Please see the back page for installation information.

## Elevation Views



DEPTH	COLOUR	PART NO. (12' LENGTH)
1"	Yellow	260906
	Gray	260907
1-1/2"	Yellow	260908
	Gray	260909
2"	Yellow	260910
	Gray	260911



Fibergrate® molded grating with edge ramp

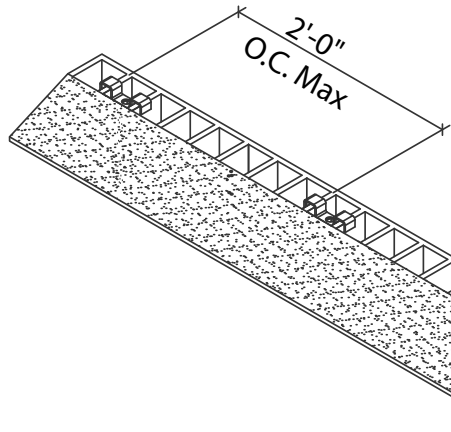


Safe-T-Span® pultruded grating with edge ramp

# Grating Edge Ramps

## FRP RAMP INSTALLTION INSTRUCTIONS

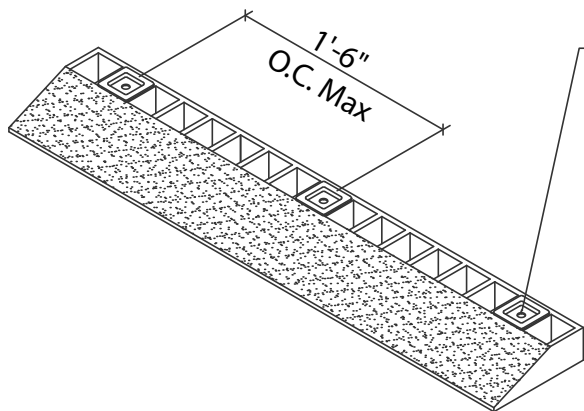
### Non-Motorized Vehicle Applications



#### Hold Down Clips (Clip Only)

- M-2 for 1" Deep Ramp (PN 734250)
- M-2 for 1-1/2" Deep Ramp (PN 734250)
- M-4 for 2" Deep Ramp (PN 734550)
- Install hold down clips with 1/4" dia. machine screw, 1/4" dia. self tapping screw, or 1/4" dia. concrete screw with 1-1/2" minimum embed (*Supplied by Customer*)
- Install clip in first full cell
- 2'-0" O.C. max

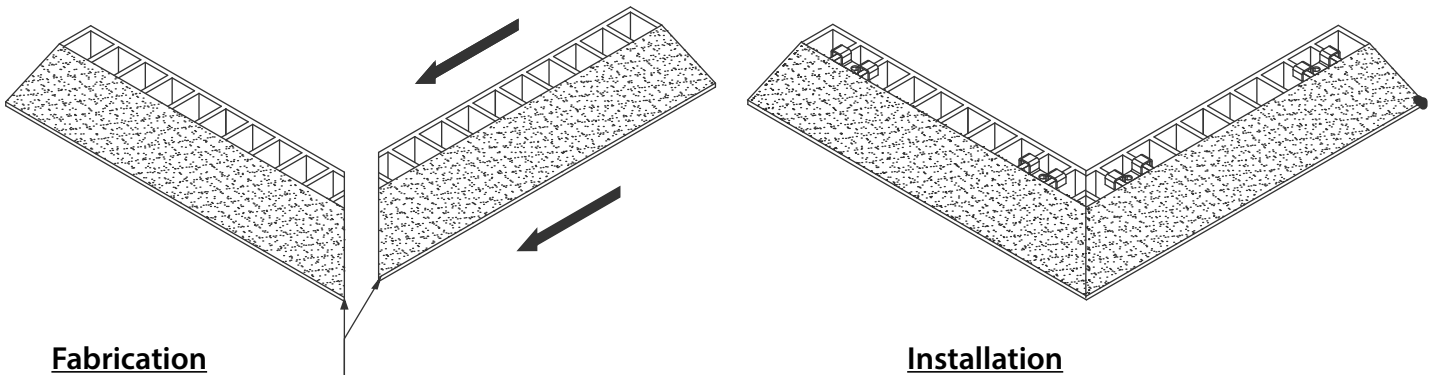
### Motorized Vehicle Applications



#### Hold Down Clips (Clip Only)

- G-2 for 1" Deep Ramp (PN 734270)
- G-2 for 1-1/2" Deep Ramp (PN 734270)
- G-4 for 2" Deep Ramp (PN 734570)
- Install hold down clips with 1/4" dia. machine screw, 1/4" dia. self tapping screw, or 1/4" dia. concrete screw with 1-1/2" minimum embed (*Supplied by Customer*)
- Install clip in first full cell
- 1'-6" O.C. max

### Miter Connection



#### Fabrication

- Field cut ramps to miter angle required
- Seal cut ends with Spray Sealer (PN 549060)

#### Installation

- Bring cut ends together
- Attach hold down clips



Phone: 877.771.7757 (Toll Free)  
Fax: 877.720.9973



www.fibergrate.ca

Fibergrate Composite Structures Inc. believes the information contained here to be true and accurate. Fibergrate makes no warranty, expressed or implied, based on this literature and assumes no responsibility for consequential or incidental damages in the use of these products and systems described, including any warranty of merchantability or fitness. Information contained here is for evaluation only. The marks and trade names appearing herein, whether registered or unregistered, are the property of Fibergrate Composite Structures Inc. Printed in Canada. ©Fibergrate Inc. 2016

5075-03/17

