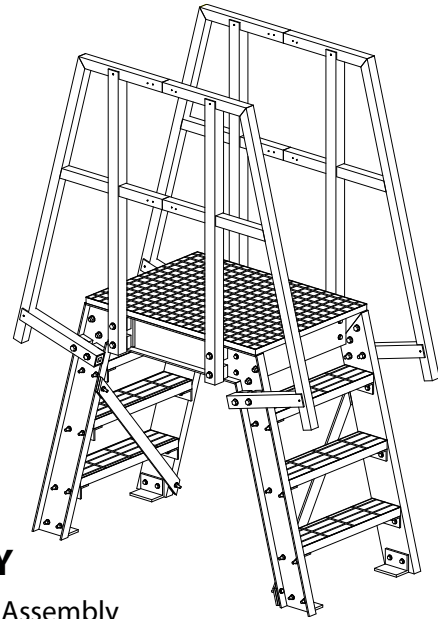


FRP Crossover Ladder Assembly Instructions:

FOR:

ITEM DESCRIPTION
FRP Crossover Ladder - 12" Clearance
FRP Crossover Ladder - 18" Clearance
FRP Crossover Ladder - 24" Clearance
FRP Crossover Ladder - 36" Clearance
FRP Crossover Ladder - 48" Clearance
FRP Crossover Ladder - 60" Clearance

COMPLETED FRP CROSSOVER LADDER (POST ASSEMBLY ILLUSTRATION)




STEP 1:

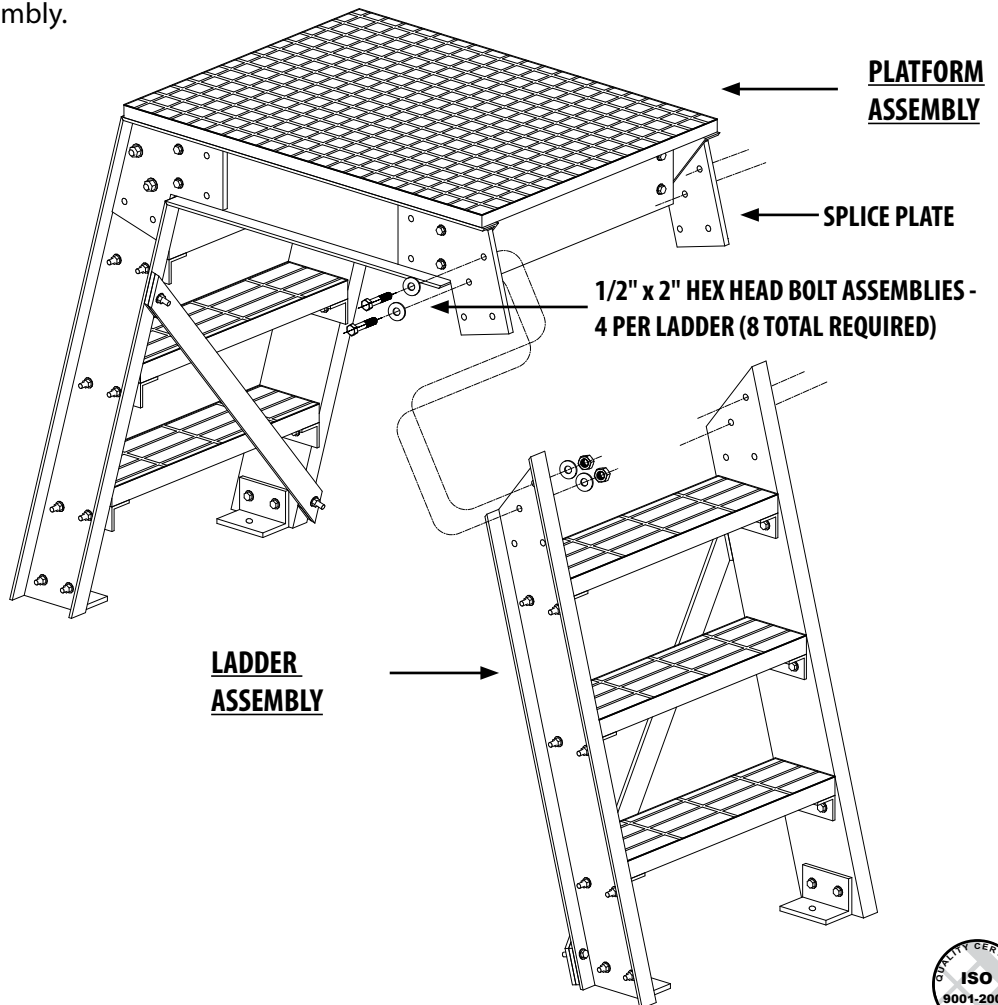
ATTACH LADDER ASSEMBLIES TO PLATFORM ASSEMBLY

A) Slide channels of Ladder Assembly inside of Splice Plates on Platform Assembly and line up the holes. At each splice plate, install two each 1/2" x 2" hex head bolt assemblies (1/2" x 2" bolt, 2 each flat washers, and 1/2" nut) in the holes indicated. Use a flat washer under the bolt head and the nut. Torque the nuts to 45 ft-lb.

B) Repeat for second Ladder Assembly.

COMPONENTS INCLUDED FOR PLATFORM & LADDER ASSEMBLY:

 Hex Head Bolt Assemblies
 Quantity: 8 each
 (1/2" x 2" bolt, 2 each flat washers, and 1/2" nut)



Crossover Ladder Assembly Instructions

STEP 2: INSTALL GUARDRAILS

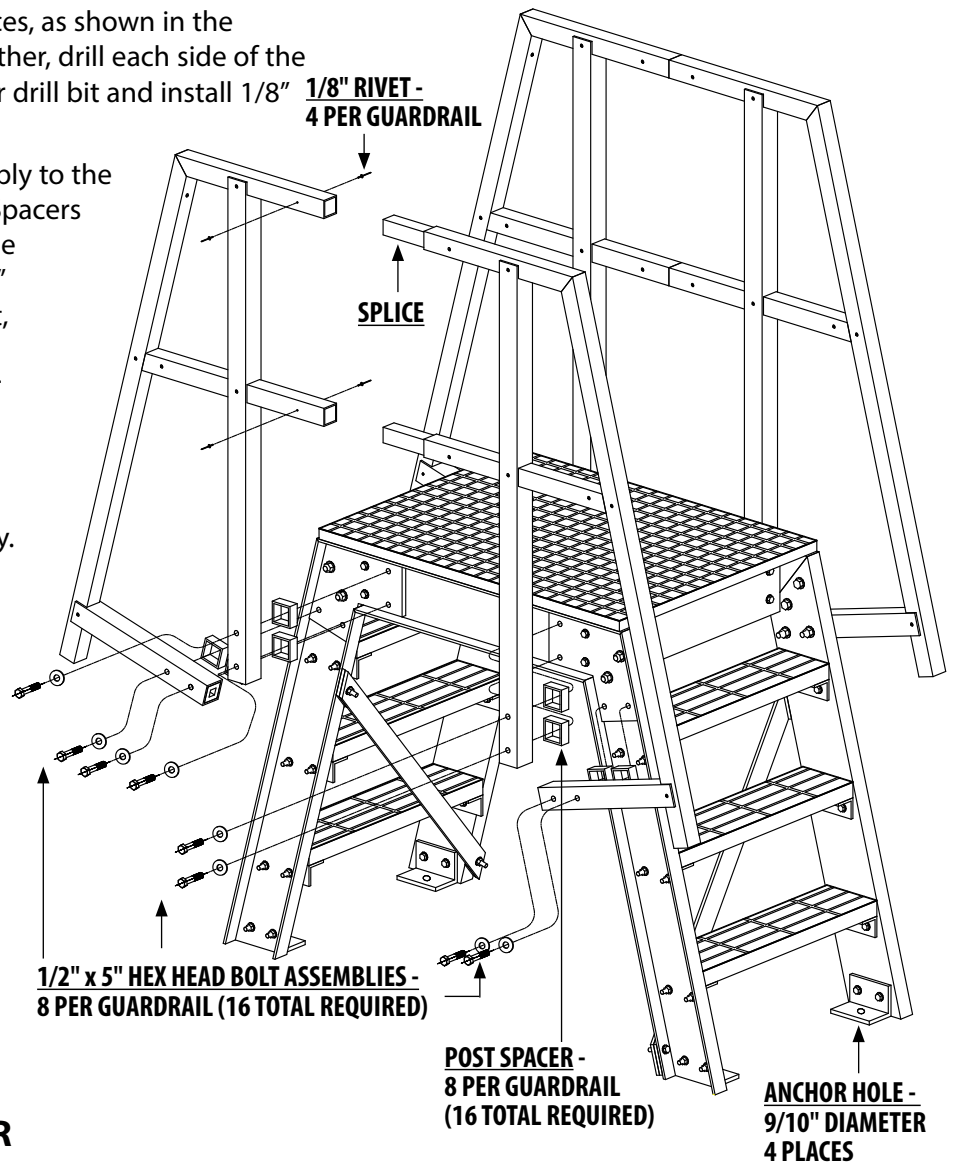
For 12" Clearance, 18" Clearance and 24" Clearance Crossovers, the Guardrail Assembly is provided in one piece – Skip to part B of Step 2.

A) Assemble Guardrails - Applies to 36" Clearance, 48" Clearance and 60" Clearance Crossovers. Slide the two halves of each Guardrail Assembly together at the splices, as shown in the diagram. Holding the joints tightly together, drill each side of the top and bottom rail with a 1/8" diameter drill bit and install 1/8" diameter pop rivets as shown.




B) Install each finished Guardrail Assembly to the Crossover by sandwiching 8 each Post Spacers between the Guardrail Assembly and the Crossover, and installing 8 each 1/2" x 5" Hex Head Bolt Assemblies (1/2" x 5" bolt, 2 each flat washers and 1/2" nut) in the holes indicated. Use a flat washer under the bolt head and the nut. Hold Post Spacers in alignment before torquing nuts. Torque the nuts to 45 ft-lb.

C) Repeat for second Guardrail Assembly.

GUARDRAIL ASSEMBLY



COMPONENTS INCLUDED FOR GUARDRAIL ASSEMBLY:

-  **Rivets**
Quantity: 8 each
(4 per Guardrail)
-  **Hex Head Bolt Assemblies**
Quantity: 16 each
(1/2" x 5" bolt, 2 each flat washers, and 1/2" nut)
-  **Post Spacer**
Quantity: 16 each
(8 per Guardrail)

STEP 3: ANCHOR LADDER CROSS OVER

A) Prior to use, the Ladder Crossover must be anchored to the supporting surface to prevent tipping. Anchor holes are 9/16" diameter and located at the bottom of the ladder in four locations. Anchoring hardware is not included.

B) Concrete Floors: Anchor Ladder Crossover to concrete floors using 4 each 1/2" diameter expansion or adhesive concrete anchors. A minimum embedment of 2-1/2" is required.

C) Wood Floors: Anchor Ladder Crossover to wooden floors with four each 1/2" x 3" lag bolts.

D) For other support conditions, contact a qualified engineer to develop adequate anchoring details.